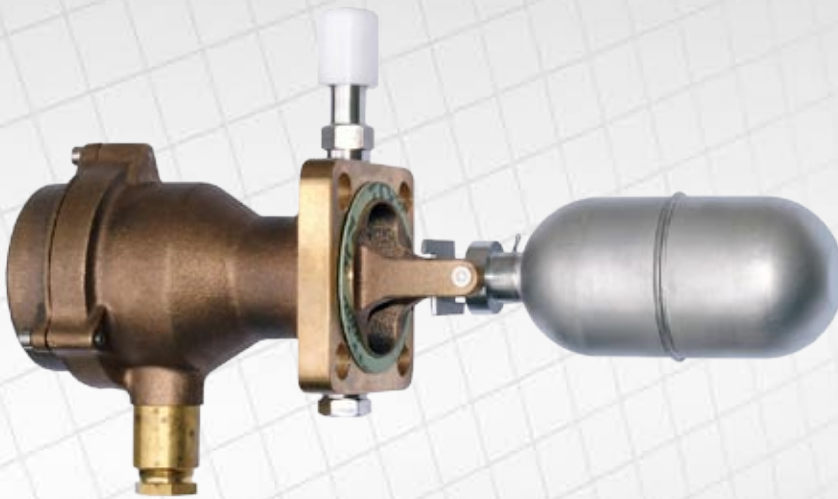


UNS-RG-040

Level Switch

► Level



- Ideal for Shipbuilding and Plant Engineering
- With integrated Test Button
- EEx d IIC T6 Approval acc. ATEX

Barksdale
CONTROL PRODUCTS
CRANE Barksdale, Inc./Barksdale GmbH
A Subsidiary of Crane Co.

Level Switch

Type UNS-RG-040

Function

The UNS-RG-040 level switch is designed for versatile applications in shipbuilding and plant engineering. The construction comprises a rugged housing with integrated flange connection in one piece without any seals or welding seams and all welded stainless steel float.

The principle of operation is, one permanent magnet forms part of a float assembly which rises and falls with changing liquid level. A second permanent magnet is positioned within the switch so that the adjacent poles of the two magnets repel each other. A change of liquid level which moves the float through its permissible travel will cause the float magnet to move and repel the switch magnet to give the snap action switch operation.

The float, test button and screw plug are manufactured 1.4571 stainless steel and consequently corrosion-resistant, durable with good shock and vibration capability.

The O-ring in the test button provides a high compressive strength providing positive actuation during operation.

Depending on the wiring of the micro switch it is possible to provide system-specific control commands to pumps, solenoid valves or switch relays.

The housing cover is sealed with an O-ring and provides protection class IP68.

The unit can be modified into an EEx d version without the need to remove which simplifies procurement, installation and minimises stock holding.

The material test certificates are available on request.

Technical Data

Materials:	
Housing:	RG5, RG10 Red brass (Bronze)
Float group:	1.4571
Flat seal:	Oil and sea water proofed
Rubber seal:	EPDM, NBR
Protection class:	IP56 / IP68
Approvals:	EEx d IIC T6 acc. ATEX
Max. pressure:	42 bar for float
Min. density:	0,46 g/cm ³
Max. temperature:	
Ambient temperature:	-40 °C...+125 °C
Ambient temperature with EEx d approval:	-40 °C...+ 82 °C
Mounting position:	from top or side mounted
Electrical connection:	Cable gland, M20x1,5
Contact mode:	SPDT
Weight:	appr. 3,5 kg



Electrical Data

Rating:	V AC	V DC inductive	V DC resistive
Max. Voltage V:	up to 250 V	24 V	24 V
Max. Current A (Microswitch):	6 A	1 A	1 A

08 / 06 UNS-RG-040 US 923-1429 02/1

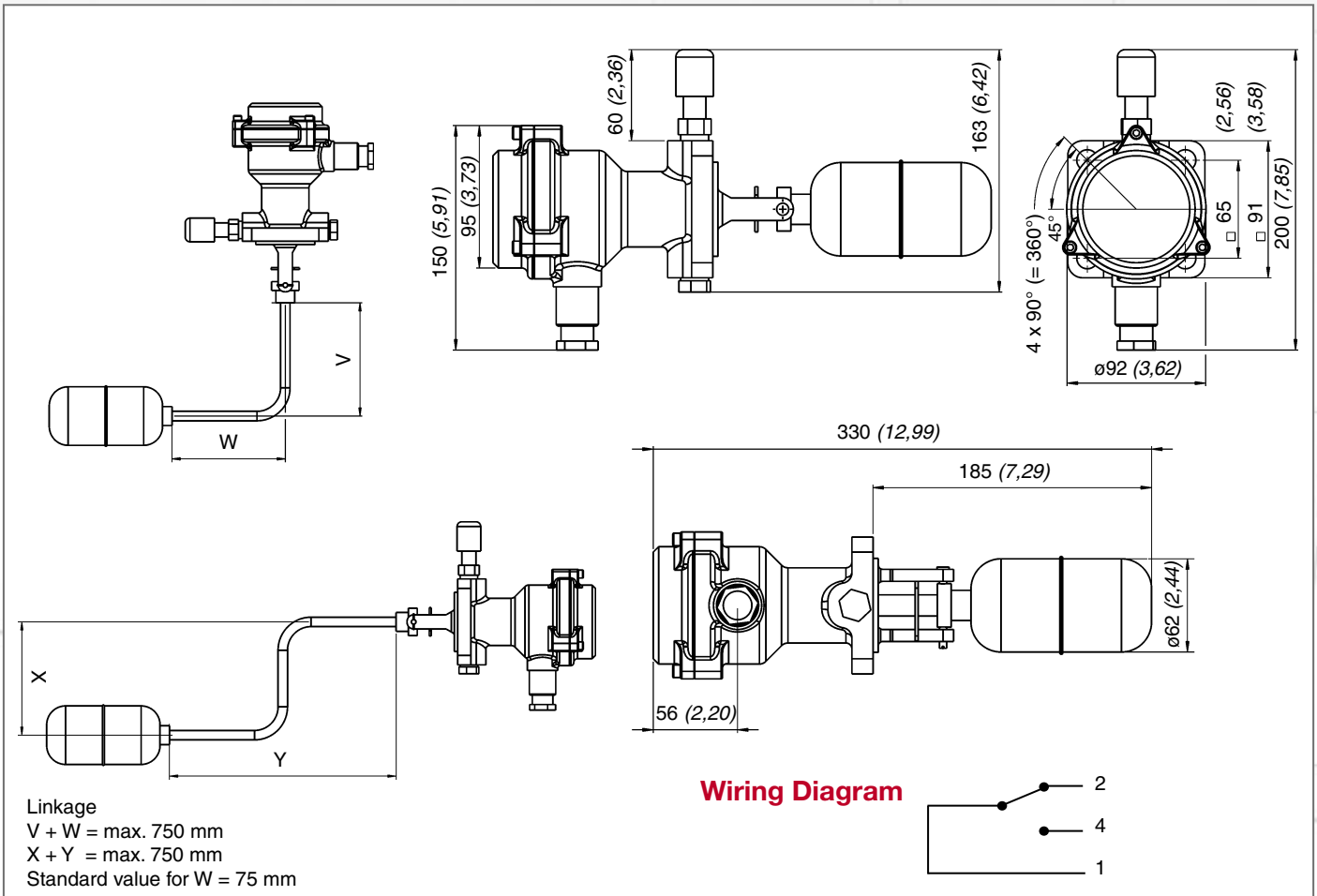
Specifications are subject to changes without notice.

Level Switch

Type UNS-RG-040

Dimensions (in mm / inch)

08 / 06 UNS-RG-040 US 9233-1429 02/1



Order Numbers

Order number	Description	Test equipment	Cable	Protection class		Linkage	
				IP56	IP68	V+W	X+Y
0110-016(HL) ¹⁾	UNS-RG-040-A1	x		x			
0110-018(LL) ²⁾	UNS-RG-040-A1	x		x			
0110-022	UNS-RG-040-A1-EEExd	x					
0110-017	UNS-RG-040-A1-G	x		x		x	x
0110-023	UNS-RG-040-A1-G-EEExd	x		x		x	x
0110-024	UNS-RG-040-A2	x	x		x		
0110-032	UNS-RG-040-A2-G	x	x		x	x	x
0110-025	UNS-RG-040-A2-EEExd	x	x		x		
0110-019	UNS-RG-040-A3			x			
0110-026	UNS-RG-040-A3-EEExd			x			
0110-027	UNS-RG-040-A3-G					x	x
0110-028	UNS-RG-040-A3-G-EEExd					x	x
0110-020	UNS-RG-040-A4		x		x		
0110-029	UNS-RG-040-A4-EEExd		x		x		
0110-030	UNS-RG-040-A4-G		x		x	x	x
0110-031	UNS-RG-040-A4-G-EEExd		x		x	x	x

¹⁾ Test button on top ²⁾ Test button down

Accessories

Order number	Description
906-0887	Welding flange 92 x 92 with bolt and nut M12, pitch circle ø92 mm, thickness 15 mm
906-0943	Protection bellows B1 (Oil, HFO, DFO, sea water, composites)
906-0944	Protection bellows B2 (Drinking water, grey water, faeces)

Specifications are subject to changes without notice.

Experts

Experts in the control of:

- ▶ Pressure
- ▶ Temperature
- ▶ Level
- ▶ Flow

Almost sixty years of experience in the area of mechanical and electronic control of liquid media and responding to customers needs have resulted in an extensive range of products to meet a widerange of applications. Barksdale's priority is clear. It is our commitment to quality instrumentation and exceptional customer service that has remained the cornerstone of our success. Based around our innovative and market-focused technologies in the areas of pressure, level, flow and temperature measuring processes we provide solutions that fit.



Global Presence



Teddington

www.teddington.se

Speditionsvägen 17, SE-142 50 Skogås

Tel + 46 8 505 207 60 Fax + 46 8 505 207 69

Barksdale Inc.

3211 Fruitland Avenue
Los Angeles, CA-90058-0843
U.S.A.
Phone: (323) 5 89 61-81
Fax: (323) 5 89 34-63
www.barksdale.com

Barksdale GmbH

Dorn-Assenheimer Strasse 27
D-61203 Reichelsheim, Germany
Phone: (49)-60 35-9 49 (0)
Fax: (49)-60 35-949-111/-113
E-mail: info@barksdale.de
www.barksdale.de

Barksdale
CONTROL PRODUCTS
 Barksdale, Inc./Barksdale GmbH
A Subsidiary of Crane Co.